

Examine all packaging material for small parts that may have come loose during shipment. Periodic checks are recommended to insure that all components are in proper position, tight and free from damage. Keep this assembly instruction for future reference. Adult assembly is required. Customer Service Phone Number: 502-562-0000

HARDWARE LIST

- A (26) Allen Bolts 1/4" x 3 1/2"
- B (8) Spring Washers 1/4"
- C (8) Flat Washers 1/4"
- D (8) Rubber Washers 1/4"
- E (8) Hex Nuts 1/4"
- F (1) Allen Wrench 1/4"

PARTS LIST

- G (1) Back Panel
- H (2) Side Rails
- J (2) Long Posts
- K (2) Short Posts

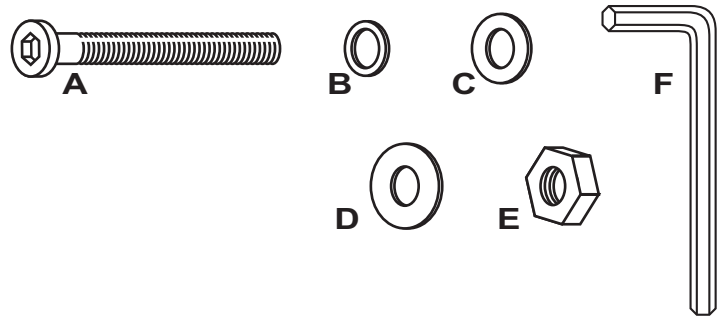


FIGURE 1

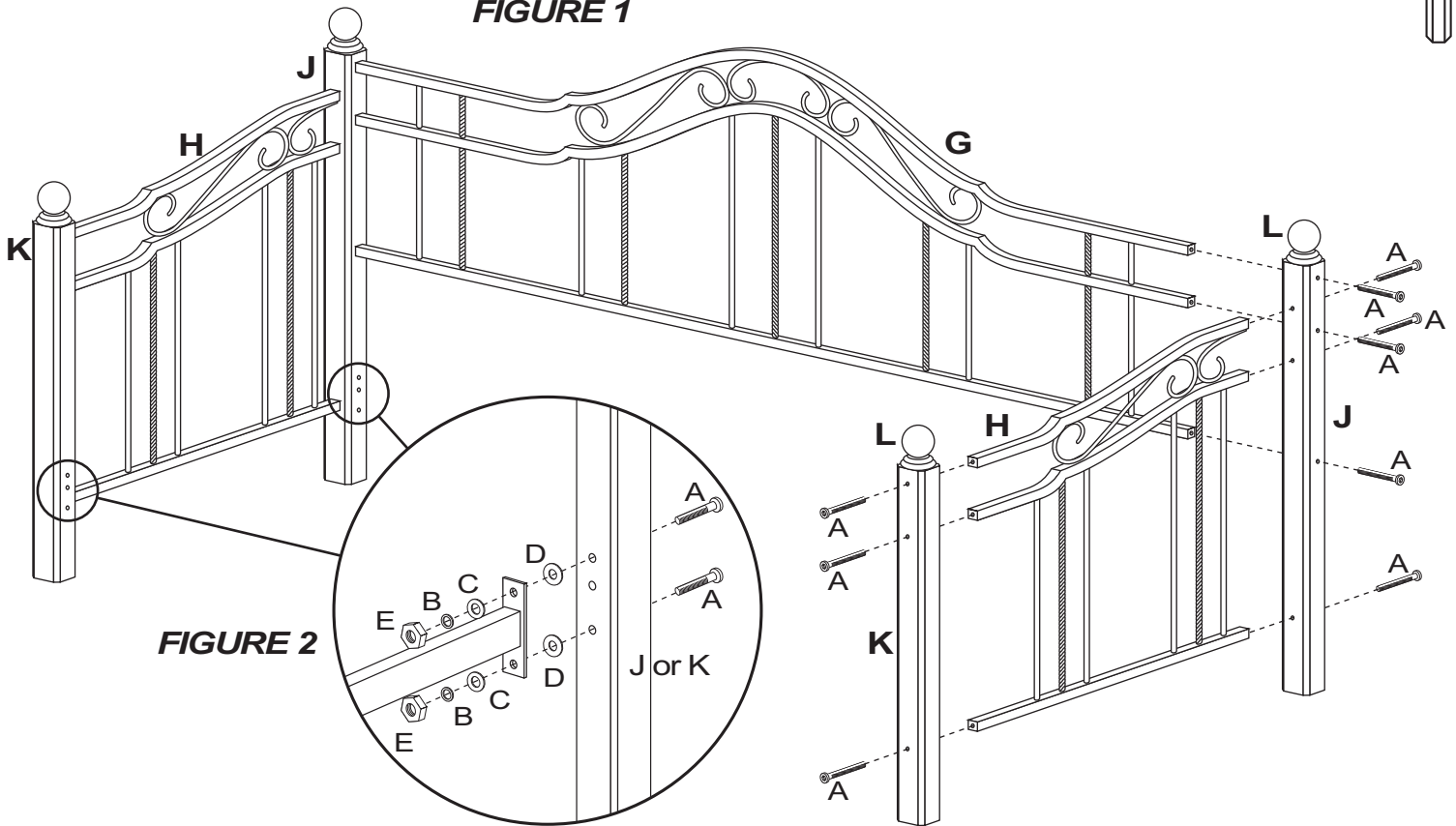


FIGURE 2

STEP 1

Begin assembly by attaching the Back Panel (G) to each Long Post (J), using 3 Allen Bolts (A) per each end. Tighten all bolts only using the Allen Wrench (F) supplied.

STEP 2

Next, attach each Side Rail (H) to each Long Post (J), using 3 Long Allen Bolts (A) per each end. Tighten all bolts.

STEP 3

Finally, attach each Short Post (K) to each Side Rail (H) using 3 Long Allen Bolts (A) per each end. Tighten all bolts.

STEP 4

Finally, attach Link Spring (*Not Included) using 2 Allen Bolts (A) from the outside, 2 Rubber Washers (D), 2 Flat Washers (C), 2 Spring Washers (B) & 2 Hex Nuts (E) per each end. Tighten all bolts and nuts. See Figure 2. The assembly is now complete.

CARE & MAINTENANCE: The touch of a soft cloth is all the maintenance the finish will ever need. Please do not use harsh or abrasive cleaners for polishing, as they may cause damage to the finish. Periodic checks are recommended to make sure that all bolts, screws and nuts are securely tightened.