

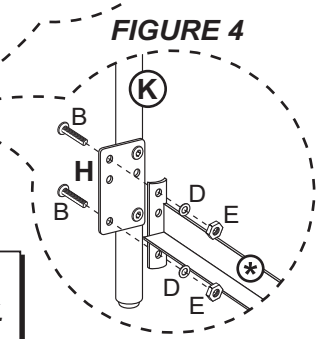
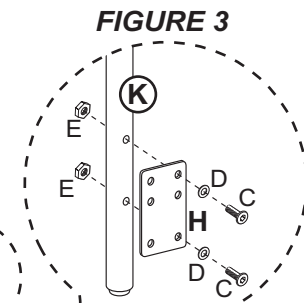
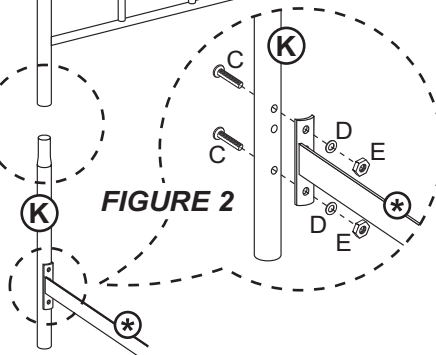
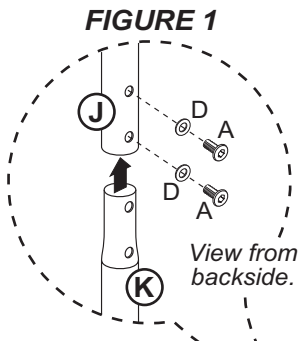
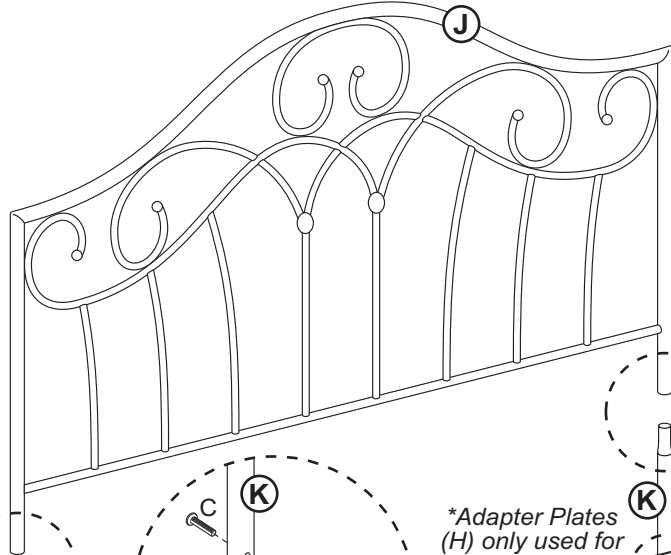
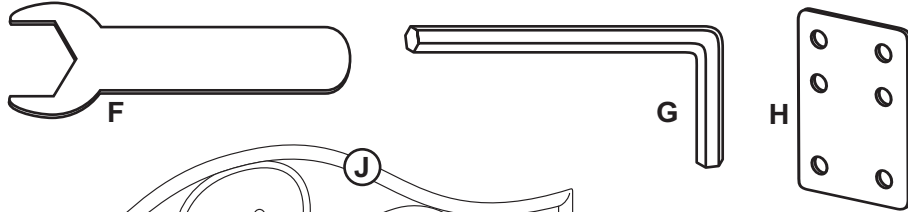
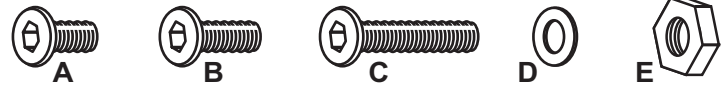
Examine all packaging material for small parts that may have come loose during shipment. Periodic checks are recommended to insure that all components are in proper position, tight and free from damage. Keep this assembly instruction for future reference. Adult assembly is required. Customer Service Phone Number: 502-562-0000

**HARDWARE LIST**

**PARTS LIST**

- A (4) Allen Bolts 1/4" x 1/2"
- B (4) Allen Bolts 1/4" x 3/4"
- C (4) Allen Bolts 1/4" x 2"
- D (12) Flat Washers 1/4"
- E (8) Hex Nuts 1/4"
- F (1) Hex Wrench 1/4"
- G (1) Allen Wrench 1/4"
- H (2) Adapter Plates

- J (1) Headboard Panel
- K (2) Leg Extensions



\*Adapter Plates (H) only used for Full Size bed as shown here.

The Bed Frame (\*) is not included. Sold Separately.

**STEP 1 - Figure 1**

Begin assembly by attaching each Leg Extension (K) to the bottom of each post on the Headboard Panel (J) by fitting in place and aligning the holes on the backside. Once in place, secure each extension using 2 Allen Bolts (A) & 2 Flat Washers (D). Tighten all bolts using the Allen Wrench (G) that has been provided.

**STEP 2 - Figure 2 - Queen Size Only**

Assemble the bed frame (\*Not Included) to each Leg Extension (K) from the back using 2 Allen Bolts (C), and from the inside with 2 Flat Washers (D) & 2 Hex Nuts (E). Tighten all bolts and nuts using the hardware (F & G) provided. The assembly of your Queen Headboard is complete. It is recommended that you keep any remaining hardware and instruction sheet for future use.

**STEP 3 - Figure 3 - Full Size Only**

Assemble each Adapter Plate (H) to each Leg Extension (K) facing inward with 2 Allen Bolts (C), 2 Flat Washers (D) and 2 Hex Nuts (E) per each side.

**STEP 4 - Figure 4 - Full Size Only**

Once in place, assemble the bed frame (\*Not Included) to each Adapter Plate (H) from the back using 2 Allen Bolts (B), and from the inside with 2 Flat Washers (D) & 2 Hex Nuts (E). Tighten all bolts and nuts using the hardware (F & G) provided. The assembly of your Full Headboard is complete. It is recommended that you keep any remaining hardware and instruction sheet for future use.

**CARE & MAINTENANCE:** The touch of a soft cloth is all the maintenance the finish will ever need. Please do not use harsh or abrasive cleaners for polishing, as they may cause damage to the finish. Periodic checks are recommended to make sure that all bolts, screws and nuts are securely tightened.