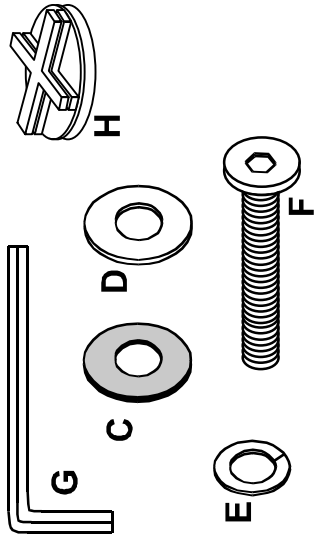




**WENDELL HEADBOARD**  
 Model #298-34 TWIN  
 Model #298-67 KING

CUSTOMER SERVICE  
 PHONE NUMBER:  
 502 / 562-0000  
 DATE: 04-23-02

Examine all packaging material for small parts that may have come loose during shipment. Periodical checks are recommended to insure that all components are in proper position, tight and free from damage. Keep this assembly instruction for future reference.

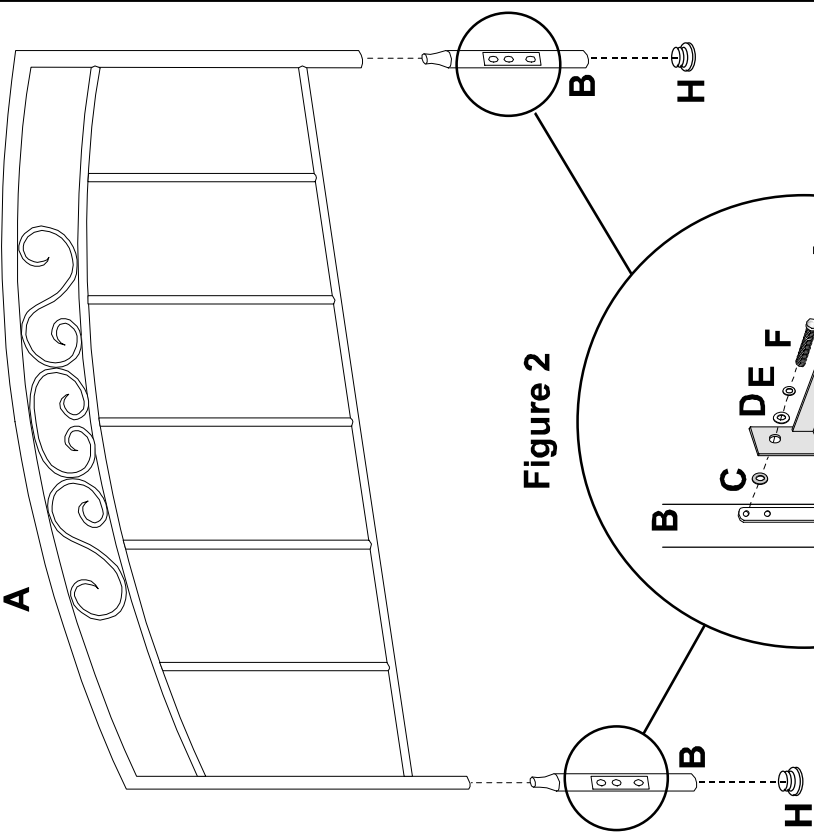


**PARTS & HARDWARE LIST**

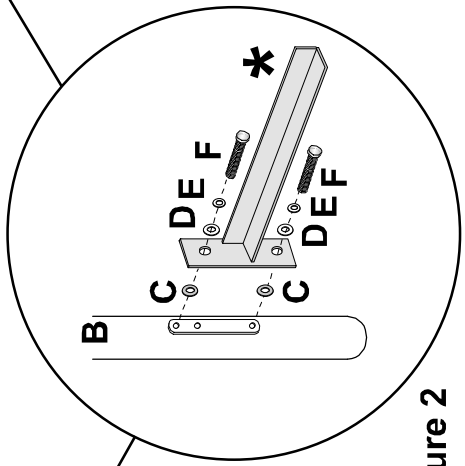
- A (1) Headboard
- B (2) Leg Extensions
- C (4) Plastic Washers
- D (4) Metal Washers
- E (4) Spring Washers
- F (4) Long Allen Bolts
- G (1) Allen Wrench
- H (2) End Caps

**\* NOTE: BED FRAME NOT INCLUDED.**

**Figure 1**



**Figure 2**



**Figure 2**

**STEP 1**  
 Insert both Leg Extensions (J) into bottoms of posts on Headboard (A). See FIGURE 1.

**STEP 2**  
 Insert End Caps (H) into bottom of Leg Extensions (B) as shown in FIGURE 1.

**STEP 3**  
 Attach Bed Frame (Not Included) to Leg Extensions (B) using 2 Long Allen Bolts (F), 2 Spring Washers (E), 2 Metal Washers (D) and 2 Plastic Washers (C) per side. Tighten All Bolts. See FIGURE 2.

**CARE & MAINTENANCE**

The touch of a soft cloth is all the maintenance the finish of your new Headboard will ever need. Never use harsh or abrasive cleaners for polishing. Periodic checks are recommended to make sure that all bolts, screws and nuts are securely tightened.