



BAYBERRY / GLENMARY PEDESTAL TABLE

Model #4783-810 44" Round Table Top - Dark Cherry Finish
Model #4783-811 44" Round Table Pedestal - Dark Cherry Finish
Model #4766-812 44" Round Table Top - Oak Finish
Model #4766-813 42" Round Table Pedestal - Oak Finish

Date: 11-27-06

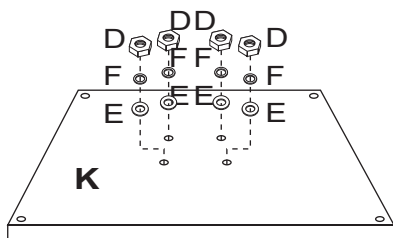
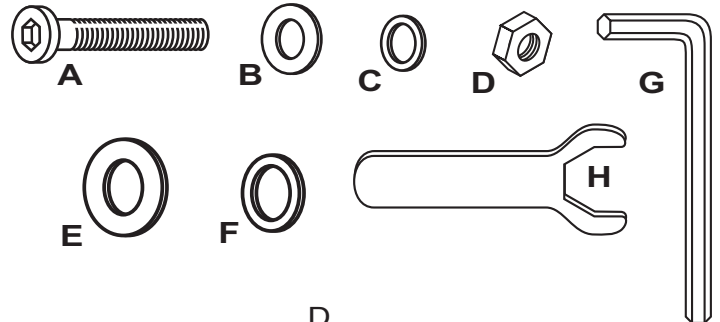
Examine all packaging material for small parts that may have come loose during shipment. Periodic checks are recommended to insure that all components are in proper position, tight and free from damage. Keep this assembly instruction for future reference. Adult assembly is required.

HARDWARE LIST

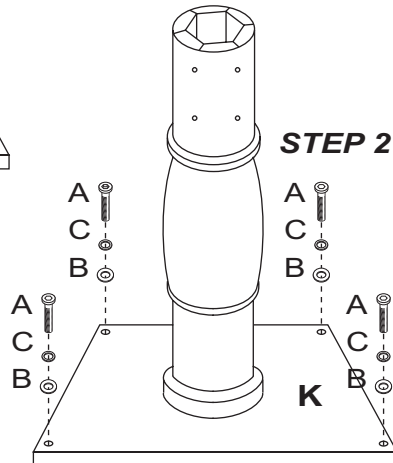
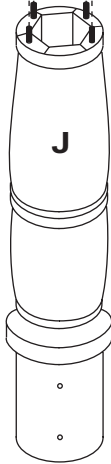
- A (4) Allen Bolts
- B (4) Small Flat Washers
- C (4) Small Spring Washers
- D (8) Hex Nuts
- E (8) Large Flat Washers
- F (8) Large Spring Washers
- G (1) Allen Wrench
- H (1) Hex Wrench

PARTS LIST

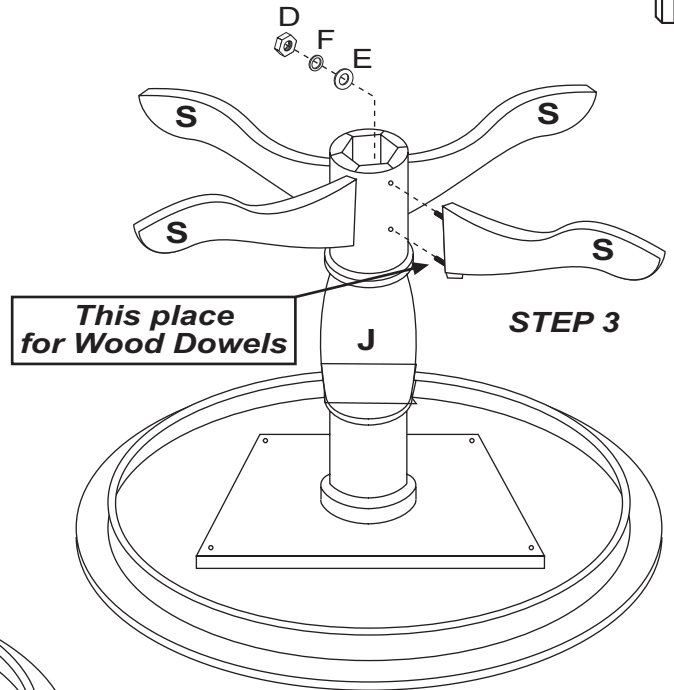
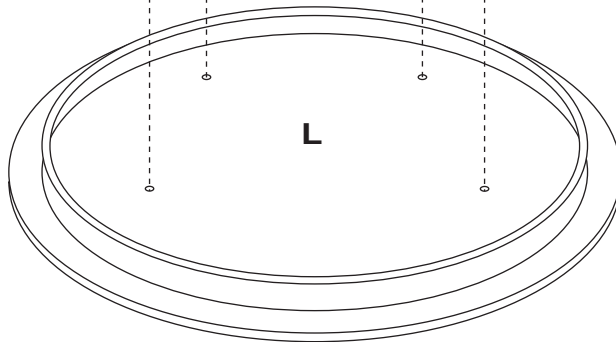
- L (1) Table Top
- S (4) Legs
- J (1) Center Post
- K (1) Wood Plate



STEP 1



STEP 2



STEP 3

*** ASSEMBLY ***

STEP 1: Secure Wood Plate (K) to Center Post (J) using 4 Hex Nuts (D), 4 Large Spring Washers (F), and 4 Large Flat Washers (E). Tighten all Hex Nuts using the supplied Hex Wrench (H).

STEP 2: Lay the Table Top (L) upside down on a clean smooth surface to protect the finish from damage. Attach Wood Plate (K) to Table Top (L) using 4 Long Allen Bolts (A), 4 Spring Washers (C), and 4 Flat Washers (B). Tighten all bolts using the supplied Allen Wrench (G).

STEP 3: Secure each Leg (S) to Center Post (J) using 1 Large Flat Washer (E), 1 Large Spring Washer (F) and 1 Hex Nut (D) per each leg. Tighten all Hex Nuts using the supplied Hex Wrench (H). Turn your assembled table in it's upright position, and place in your desired location. The assembly is now complete.

CARE & MAINTENANCE: The touch of a soft cloth is all the maintenance the finish will ever need. Please do not use harsh or abrasive cleaners for polishing, as they may cause damage to the finish. Periodic checks are recommended to make sure that all bolts, screws and nuts are securely tightened.