

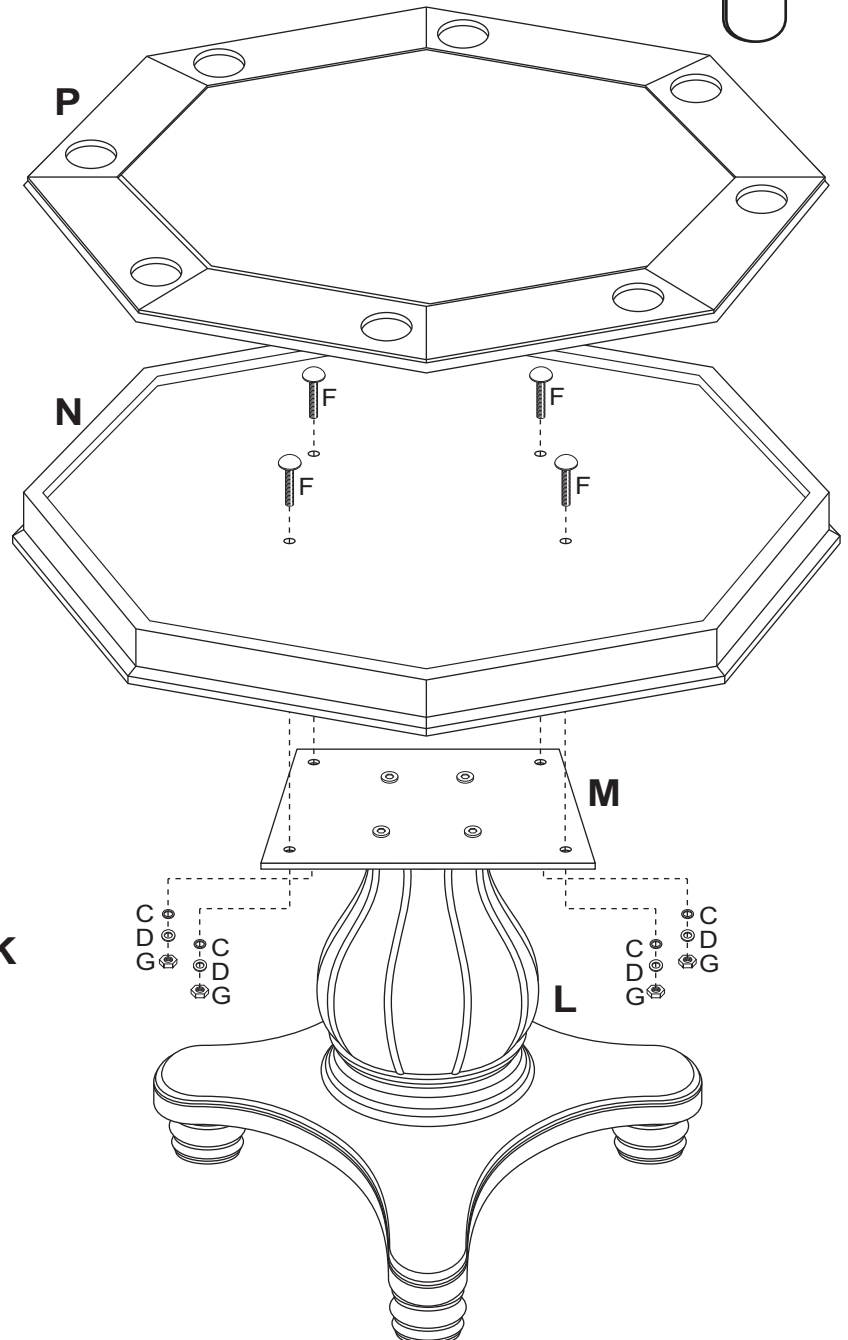
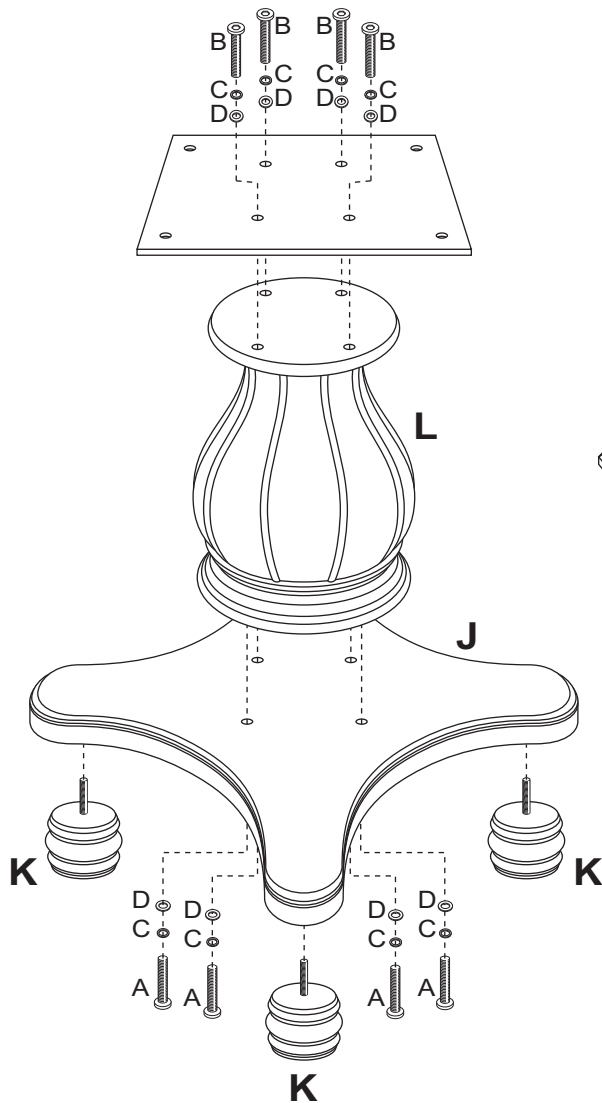
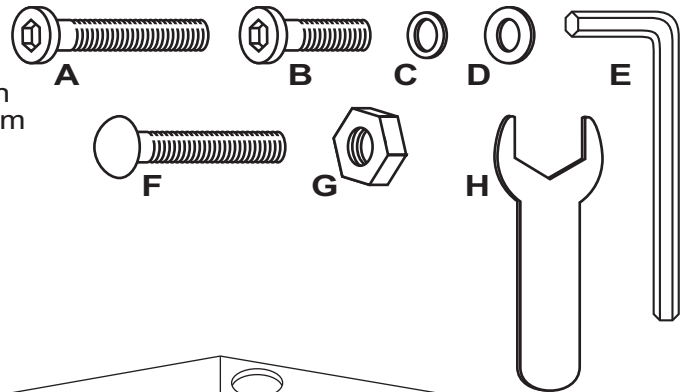
Examine all packaging material for small parts that may have come loose during shipment. Periodic checks are recommended to insure that all components are in proper position, tight and free from damage. Keep this assembly instruction for future reference. Adult assembly is required. Customer Service Phone Number: 502-562-0000

HARDWARE LIST

- A (4) Allen Bolts 5/16" x 2-1/2"
- B (4) Allen Bolts 5/16" x 1-1/4"
- C (12) Spring Washers 5/16"
- D (12) Flat Washers 5/16"
- E (1) Allen Wrench 5mm
- F (4) Pan Head Bolts 5/16" x 1-3/4"
- G (4) Hex Nuts 5/16"
- H (1) Hex Wrench 5/16"

PARTS LIST

- J (1) Table Base
- K (4) Bunn Feet
- L (1) Center Column
- M (1) Square Platform
- N (1) Game table
- P (1) Table Top



CARE & MAINTENANCE: The touch of a soft cloth is all the maintenance the finish will ever need. Please do not use harsh or abrasive cleaners for polishing, as they may cause damage to the finish. Periodic checks are recommended to make sure that all bolts, screws and nuts are securely tightened.