

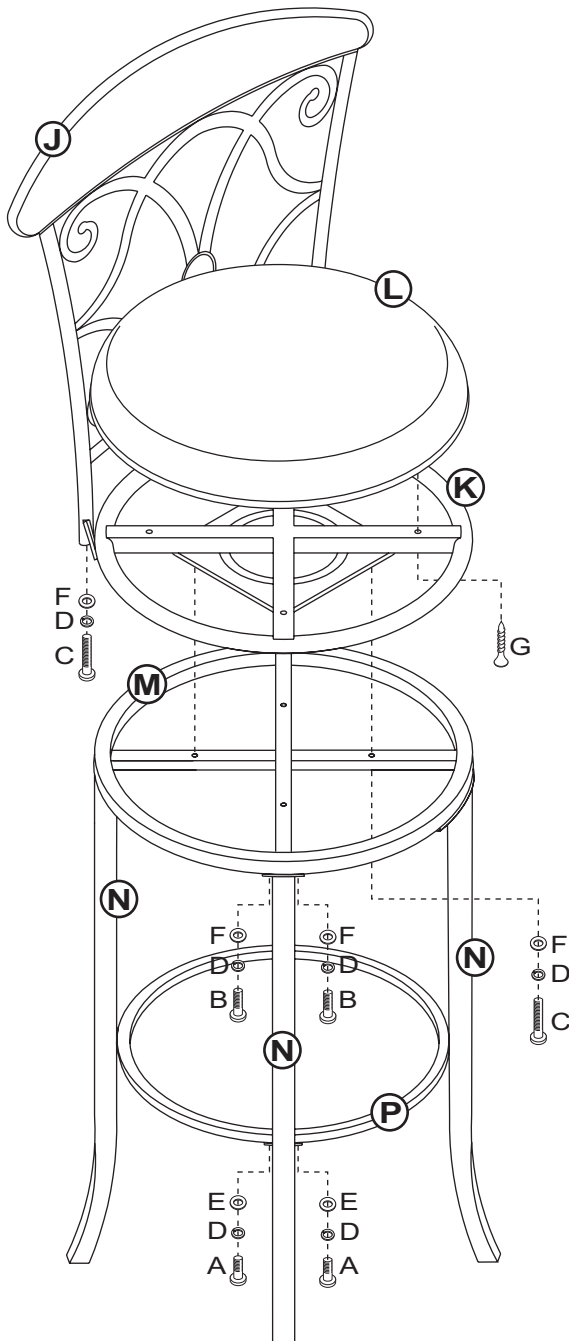
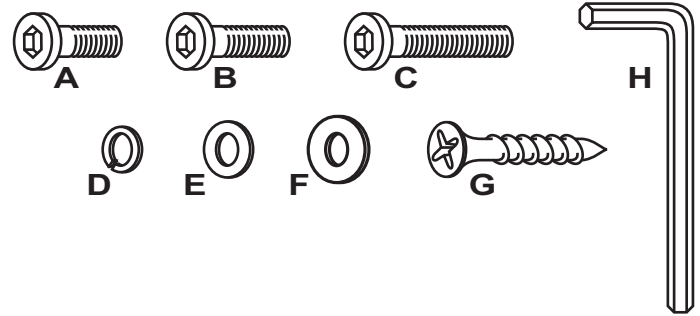
Examine all packaging material for small parts that may have come loose during shipment. Periodic checks are recommended to insure that all components are in proper position, tight and free from damage. Keep this assembly instruction for future reference. Adult assembly is required. Customer Service Phone Number: 502-562-0000

HARDWARE LIST

- A (8) Allen Bolts 1/4" x 1/2"
- B (8) Allen Bolts 1/4" x 5/8"
- C (6) Allen Bolts 1/4" x 1-1/8"
- D (22) Spring Washers 1/4"
- E (8) Small Flat Washers 1/4"
- F (14) Large Flat Washers 1/4"
- G (4) Wood Screws
- H (1) Allen Wrench

PARTS LIST

- J (1) Stool Back
- K (1) Seat Base
- L (1) Seat Cushion
- M (1) Stool Base
- N (4) Legs
- P (1) Support Ring



STEP 1

Begin assembly by attaching the Seat Base (K) to the Stool Back (J) by inserting the posts into the supports on the backside and secure with 1 Allen Bolt (C), 1 Spring Washer (D) & 1 Large Flat Washer (F) per each side. Tighten all bolts using the Allen Wrench (H) that has been provided.

STEP 2

Next attach 3 Legs (N) to the bottom of the Stool Base (M) by aligning holes and securing with 2 Allen Bolts (B), 2 Spring Washers (D) & 2 Large Flat Washers (F) per each leg. Tighten all bolts.

STEP 3

Attach the Support Ring (P) to each assembled leg using 2 Allen Bolts (A), 2 Spring Washers (D) & 2 Small Flat Washers (E) per each leg.

STEP 4

Attach the remaining Leg (N) to the bottom of the Stool Base (M) by aligning holes and securing with 2 Allen Bolts (B), 2 Spring Washers (D) & 2 Large Flat Washers (F) to secure in place. Also attach the Support Ring (P) to the leg using 2 Allen Bolts (A), 2 Spring Washers (D) & 2 Small Flat Washers (E) to secure in place. Tighten all bolts.

STEP 5

Attach the Seat Cushion (L) to the top of the Seat Base (K) using 4 Wood Screws (G) to secure in place. Tighten all screws.

STEP 6

Finally attach the assembled Stool Base to the bottom swivel metal plate (located on the bottom of the Seat Base K) using 4 Allen Bolts (C), 4 Spring Washers (D) & 4 Large Flat Washers (F) to secure in place. Tighten all bolts. The assembly is complete.