



# CAROLINA HEADBOARD

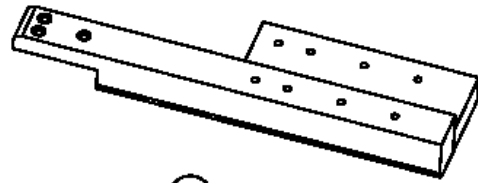
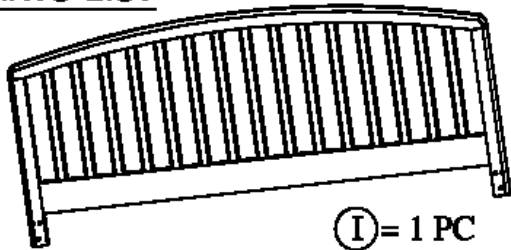
Model # 1109-490

CUSTOMER SERVICE  
PHONE NUMBER  
502-562-0000  
DATE : 26-11-2004

IMPORTANT UNLESS OTHERWISE STATED, PLEASE DO NOT TIGHTEN BOLTS (AND/OR) SCREW UNTIL UNIT IS COMPLETELY ASSEMBLED. Examine all packaging material for small parts that may have come loose during shipment. Periodic checks are recommended to insure that all components are in proper position, tight and free from damage. Keep this assembly instruction for future reference.

Online Parts Request From: [www.hillsdalehouse.com/parts-request.html](http://www.hillsdalehouse.com/parts-request.html)

## PARTS LIST

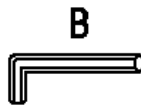


② = 2 PCS  
(LEFT+RIGHT)

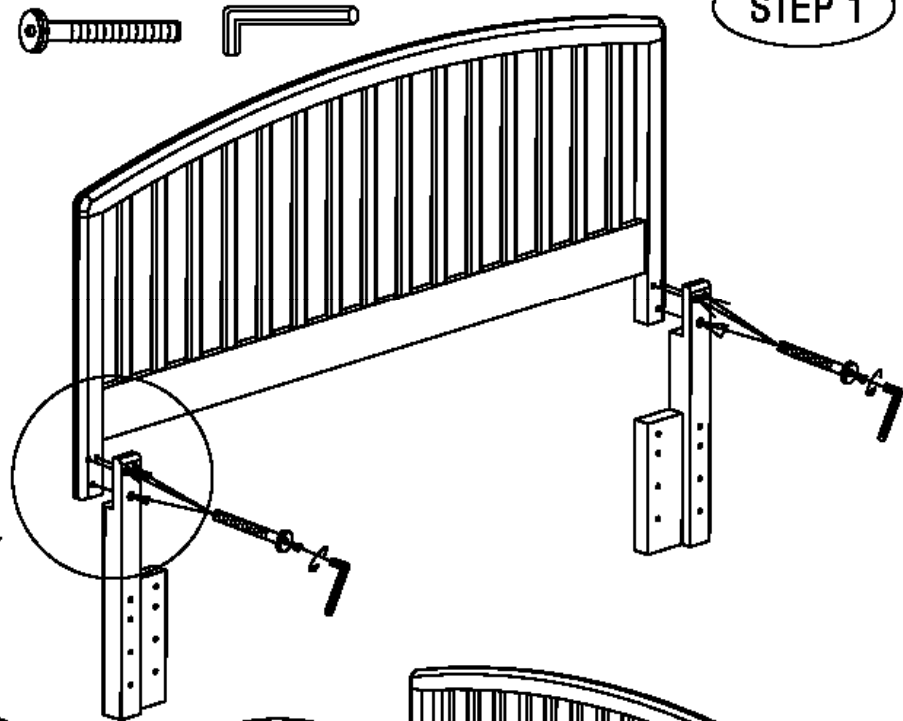
## HARDWARE LIST

A (4) Allen bolts

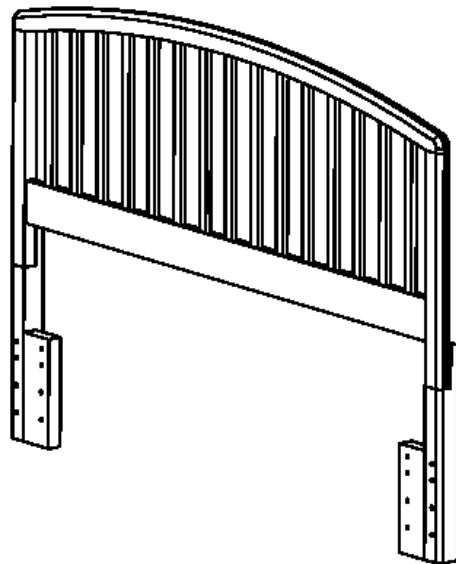
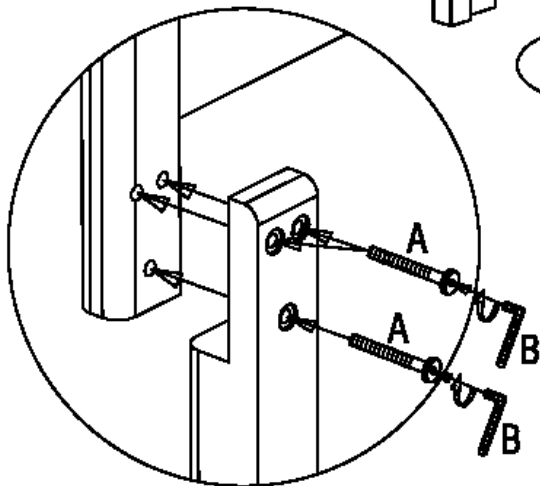
B (1) Allen Wrench



STEP 1



STEP 2



The hardware bag content:

- 1) 1-1/2" long screw x 6 pcs -- **Attach Headboard Panel with Leg Extensions.**
- 2) 2-1/8" long screw x 4 pcs -- **Attach Headboard with Full size Bed Frame.**
- 3) 3" long screw x 4 pcs-- **Attach Headboard with Queen size Bed Frame.**
- 4) Nut x 4 pcs -- **For Bed Frame assembly use.**
- 5) Spring Washer x 4 pcs -- **For Bed Frame assembly use.**
- 6) Flat Washer x 4 pcs -- **For Bed Frame Assembly use.**
- 7) Allen Wrench x 1 pcs.